

# Contact safety thermostat

Art. 9018

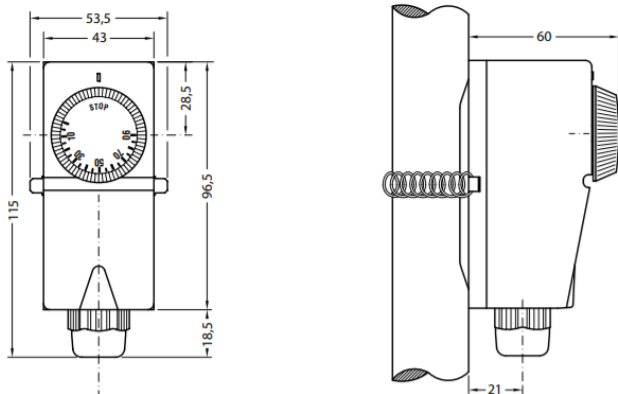


100% MADE IN ITALY 

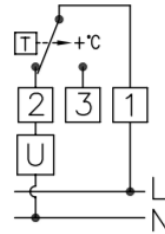
**Function** Pintossi + C contact safety thermostat is a bimetallic boxed thermostat, unipolar, with interrupted or changeover switches. It's particularly suitable to measure and regulate temperature on heating systems pipes, like for example turn on and off a circulating pump when temperature reaches a specific level.

<b>Technical specifications</b>	Temperature range:	0-90°C
	Differential:	8 ± 3K
	Electrical contact capacity:	16(2,5) A / 250 V AC
	Max. head temperature:	80°C
	Protection rating:	IP 20
	Installation:	On pipes

## Dimensions



## Electrical scheme



**Installation** Before connecting the thermostat make sure the power supply is turned off.  
Instructions steps:

- Fix the thermostat to the pipe by means of its specific clip;
- Remove the adjusting knob if present and then release the relevant fixing screw;
- Remove the front cover;
- Thread the power supply wires in the provided fairlead and connect them to the appliance terminals;

Snap the front cover back by means of the provided screws.